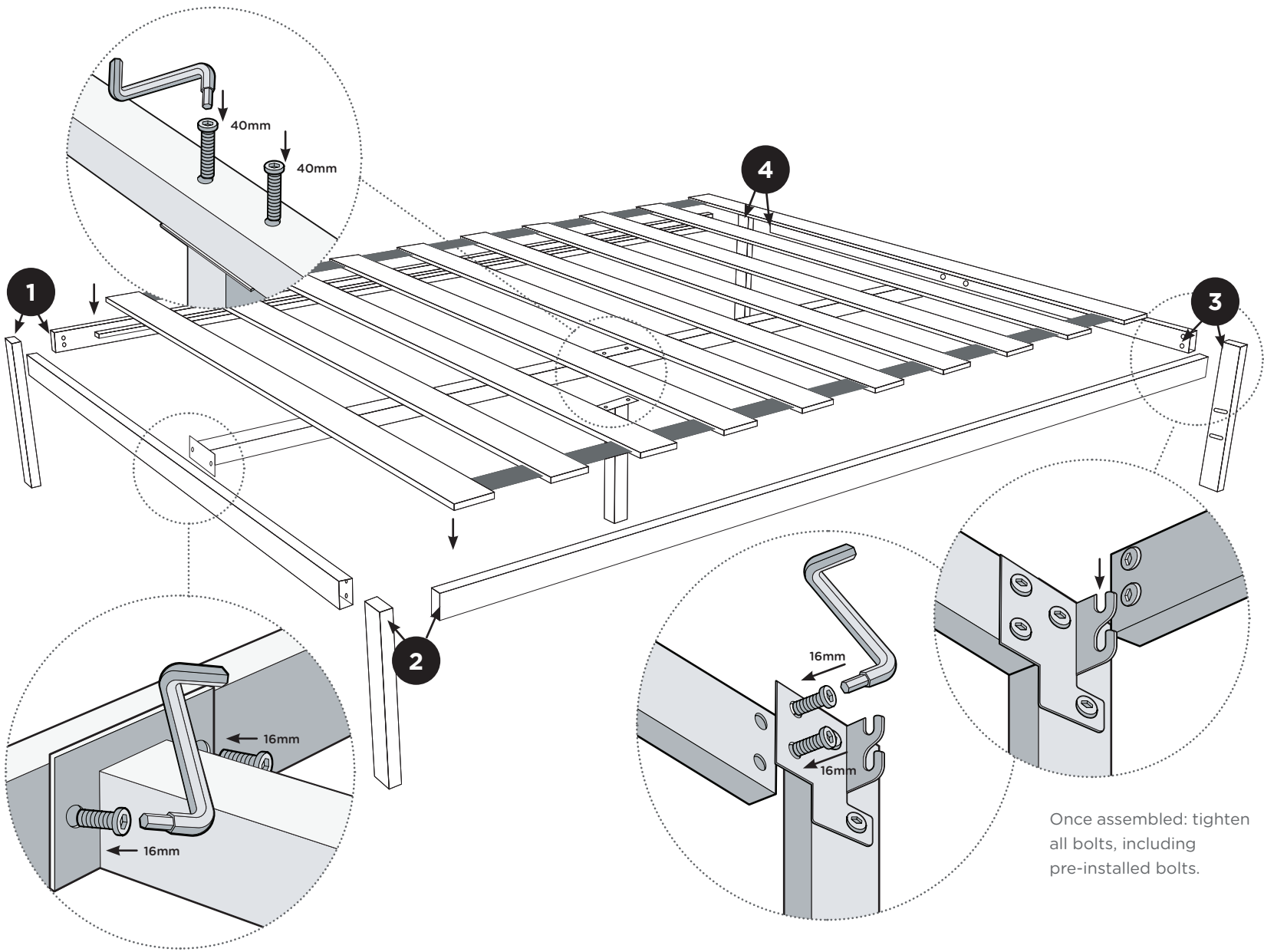




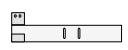
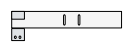

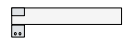

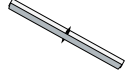


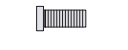
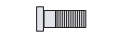



STUMPTOWN PLATFORM FRAME

Instructions for FULL, QUEEN, and KING Frames



WHAT IS INCLUDED

- Cross Arm Bar
2 pcs 
- Side Rails
2 pcs 
- Corner Legs (Head A)
1 pc 
- Corner Legs (Head B)
1 pc 
- Corner Legs (Foot A)
1 pc 
- Corner Legs (Foot B)
1 pc 
- Slat Bundle
1 pc 
- Center Support Bar
1 pc 
- Center Support Leg
1 pc 
- M6 x 40mm Bolt
2 pcs 
- M6 x 16mm Bolt
20 pcs
(8 of 20 pre-installed) 
- Shoulder Bolt
8 pcs (pre-installed) 
- Allen Wrench
1 pc 
- 1 extra pc of each bolt included

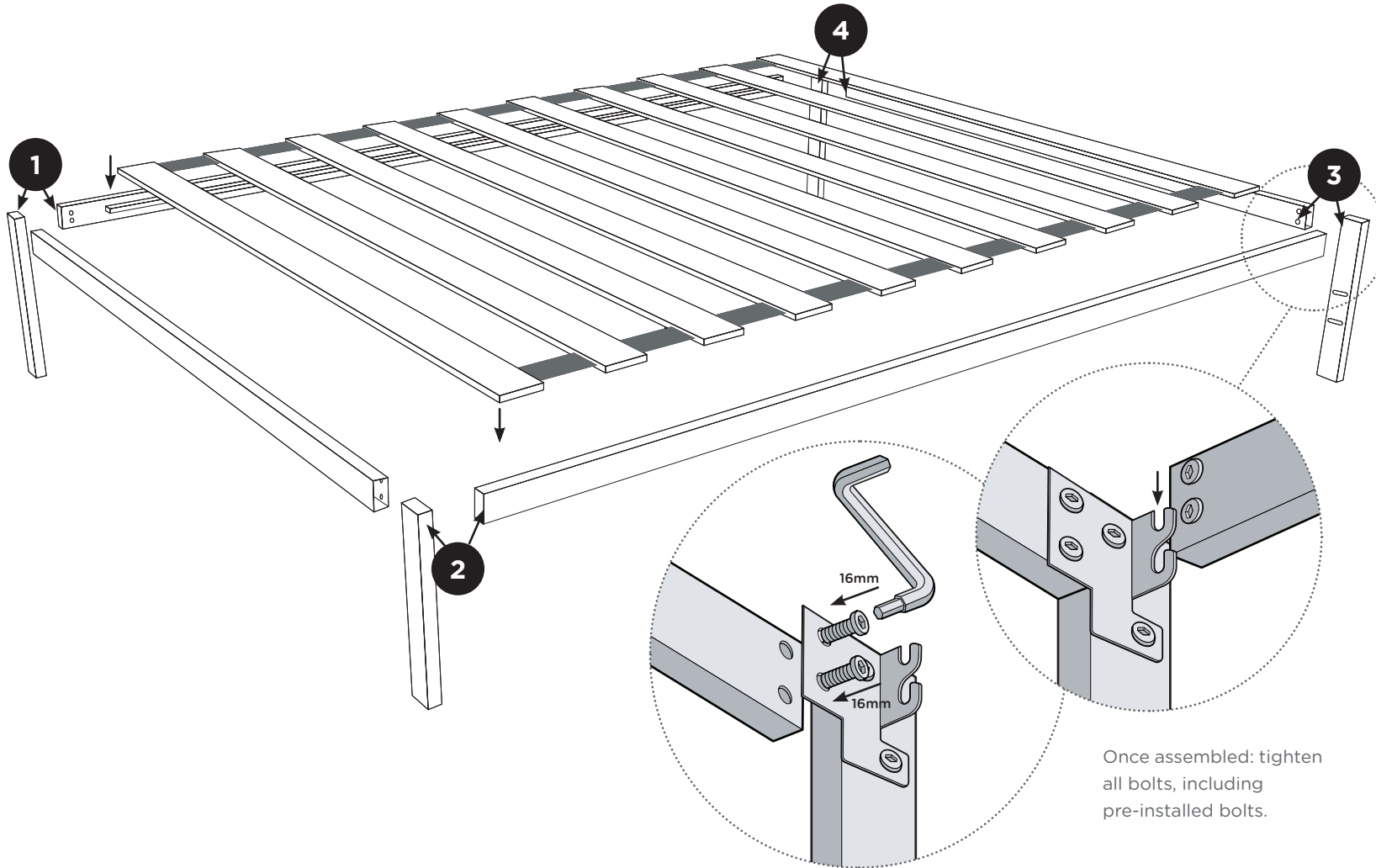
Once assembled: tighten all bolts, including pre-installed bolts.

To learn more about your product or its warranty, call 503.896.1072 or visit us online at stumptownmattress.com.


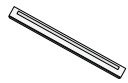
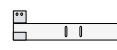
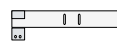


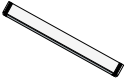

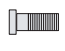



STUMPTOWN PLATFORM FRAME

Instructions for FULL, QUEEN, and KING Frames



WHAT IS INCLUDED

- Cross Arm Bar
2 pcs 
- Side Rails
2 pcs 
- Corner Legs (Head A)
1 pc 
- Corner Legs (Head B)
1 pc 
- Corner Legs (Foot A)
1 pc 
- Corner Legs (Foot B)
1 pc 
- Slat Bundle
1 pc 
- M6 x 16mm Bolt
16 pcs
(8 of 16 pre-installed) 
- Shoulder Bolt
8 pcs (pre-installed) 
- Allen Wrench
1 pc 
- 1 extra pc of each bolt included

To learn more about your product or its warranty, call 503.896.1072 or visit us online at stumptownmattress.com.

Once assembled: tighten all bolts, including pre-installed bolts.